

IP8330

Network Bullet Camera

Supreme Night Visibility • Exceptional 60 fps • Weather-proof



VIVOTEK IP8330 is the best bullet-style network camera offering supreme night visibility for diverse outdoor applications. Featuring up to an unbelievable 60 fps at VGA resolution and exceptional low light sensitivity down to 0.1 lux, the VIVOTEK IP8330 captures impressively smooth and crystal-clear video, even at nighttime. In order to adapt to constantly changing outdoor lighting conditions, the IP8330 also features a removable IR-cut filter as well as IR illuminators for superior image quality around the clock. With the Advanced Color Reproduction technology, users need to look no further for an all-in-one outdoor camera capable of capturing high quality, vivid video for both day and night.

For protection against harsh outdoor environments, the camera comes in an IP66-rated housing and weather-proof casing to withstand rain and dust. The IP8330 also supports the industry-standard H.264 compression technology, drastically reducing file sizes and conserving valuable network bandwidth. With H.264, MPEG-4, and MJPEG compatibility all included, multiple streams can be simultaneously transmitted in any of these formats at different resolutions, frame rates, and image qualities for versatile applications. The streams can also be individually configured to meet different needs or bandwidth constraints, thereby further optimizing bandwidth and storage.

Incorporating a number of advanced features standard for VIVOTEK cameras, including tamper detection, 802.3af compliant PoE, SD/SDHC card slot*, and VIVOTEK's 32-channel recording software, the IP8330 is the ideal solution for outdoor surveillance for low light and high frame rate applications.

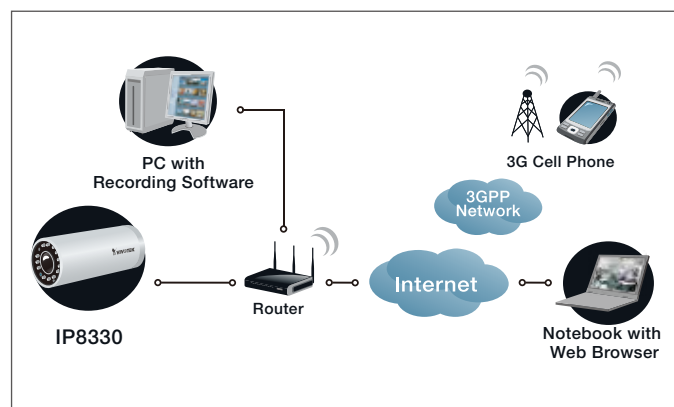
Features

- > Supreme Night Visibility
- > Vivid and Faithful Color Performance
- > 60 fps for Smoother, Razor-Sharp Video of High-Speed Objects
- > Removable IR-cut Filter for Day and Night Function
- > Built-in IR Illuminators, Effective up to 15 Meters
- > Real-time H.264, MPEG-4 and MJPEG Compression (Triple Codec)
- > Weather-proof IP66-rated Housing
- > Tamper Detection for Unauthorized Changes
- > Built-in 802.3af Compliant PoE
- > Built-in MicroSD/SDHC Card Slot for On-board Storage*

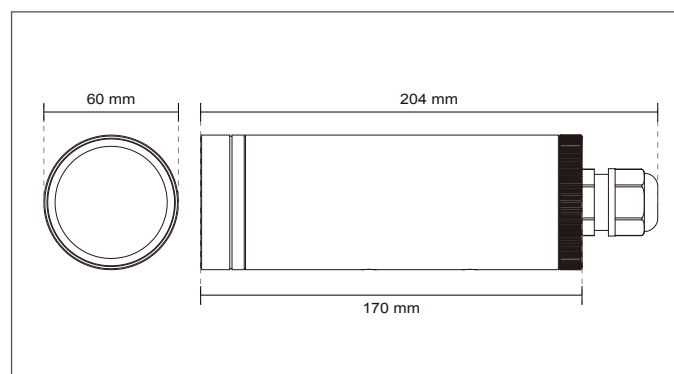
* No MicroSD/SDHC card slot & local storage function for Argentina.

System	<ul style="list-style-type: none"> CPU: TI DM365 SoC Flash: 128MB RAM: 256MB Embedded OS: Linux 2.6 	Weight	· Net: 702 g
Lens	<ul style="list-style-type: none"> Board lens, f = 4 mm, F1.6, Fixed IR corrected Removable IR-cut filter for day & night function 	Power	<ul style="list-style-type: none"> 12V DC 24V AC Power consumption: Max. 4 W 802.3af compliant Power-over-Ethernet (Class 2)
Angle of View	<ul style="list-style-type: none"> 46.6°(horizontal) 35.4°(vertical) 57.7°(diagonal) 	Housing	· Weather-proof IP66-rated housing
Shutter Time	· 1/5 sec. to 1/15,000 sec.	Approvals	· CE, LVD, FCC, VCCI, C-Tick, UL
Image Sensor	· 1/4" CMOS sensor in VGA resolution	Operating Environments	<ul style="list-style-type: none"> Temperature: -20°C ~ 50°C (-4°F ~ 122°F) Humidity: 90% RH
Minimum Illumination	<ul style="list-style-type: none"> Supreme Night Visibility below 0.1 Lux @ 10 IRE, F1.6, 1/5 s exposure time 0 Lux @ F1.6 (IR LED on) 	Viewing System Requirements	<ul style="list-style-type: none"> OS: Microsoft Windows 7/Vista/XP/2000 Browser: Mozilla Firefox, Internet Explorer 6.x or above Cell phone: 3GPP player Real Player: 10.5 or above Quick Time: 6.5 or above
IR Illuminators	· Built-in IR illuminators, effective up to 15 meters · IR LED*12	Installation, Management, and Maintenance	<ul style="list-style-type: none"> Installation Wizard 2 32-CH ST7501 recording software Supports firmware upgrade
Video	<ul style="list-style-type: none"> Compression: H.264, MJPEG & MPEG-4 Streaming: Multiple simultaneous streams H.264 streaming over UDP, TCP, HTTP or HTTPS MPEG-4 streaming over UDP, TCP, HTTP or HTTPS H.264/MPEG-4 multicast streaming MJPEG streaming over HTTP or HTTPS Supports activity adaptive streaming for dynamic frame rate control Supports 3GPP mobile surveillance Frame rates: <ul style="list-style-type: none"> H.264: Up to 60 fps at 640x480 MPEG-4: Up to 60 fps at 640x480 MJPEG: Up to 60 fps at 640x480 	Applications	· SDK available for application development and system integration
Image Settings	<ul style="list-style-type: none"> Adjustable image size, quality and bit rate Time stamp and text caption overlay Flip & mirror Configurable brightness, contrast, saturation, sharpness and white balance AGC, AWB, AES Automatic, manual or scheduled day/night mode Supports privacy masks 	Warranty	· 24 months
Networking	<ul style="list-style-type: none"> 10/100 Mbps Ethernet, RJ-45 Onvif support Protocols: IPv4, IPv6, TCP/IP, HTTP, HTTPS, UPnP, RTSP/RTP/RTCP, IGMP, SMTP, FTP, DHCP, NTP, DNS, DDNS, PPPoE, CoS, QoS, SNMP, and 802.1X 		
Alarm and Event Management	<ul style="list-style-type: none"> Triple-window video motion detection Tamper detection One D/I for external sensor Event notification using HTTP, SMTP or FTP Local recording of MP4 file 		
On-board Storage	<ul style="list-style-type: none"> MicroSD/SDHC card slot Stores snapshots and video clips <small>*Note: No SD/SDHC card slot & local storage function for Argentina.</small>		
Security	<ul style="list-style-type: none"> Multi-level user access with password protection IP address filtering HTTPS encrypted data transmission 802.1X port-based authentication for network protection 		
Users	· Live viewing for up to 10 clients		
Dimension	<ul style="list-style-type: none"> Camera: Ø 60 mm x 170 mm Cable length: 400 mm Cable diameter: Ø 12 mm; Max width: Ø 18 mm 		

System Overview



Dimension



All specifications are subject to change without notice. Copyright©2011 VIVOTEK INC. All rights reserved. P/N: 971003301

Distributed by:



VIVOTEK INC.

6F, No.192, Lien-Cheng Rd., Chung-Ho, New Taipei City, 235, Taiwan, R.O.C.
|T: +886-2-82455282 | F: +886-2-82455532 | E: sales@vivotek.com

VIVOTEK USA, INC.

2050 Ringwood Avenue, San Jose, CA 95131
|T: 408-773-8686 | F: 408-773-8298 | E: salesusa@vivotek.com